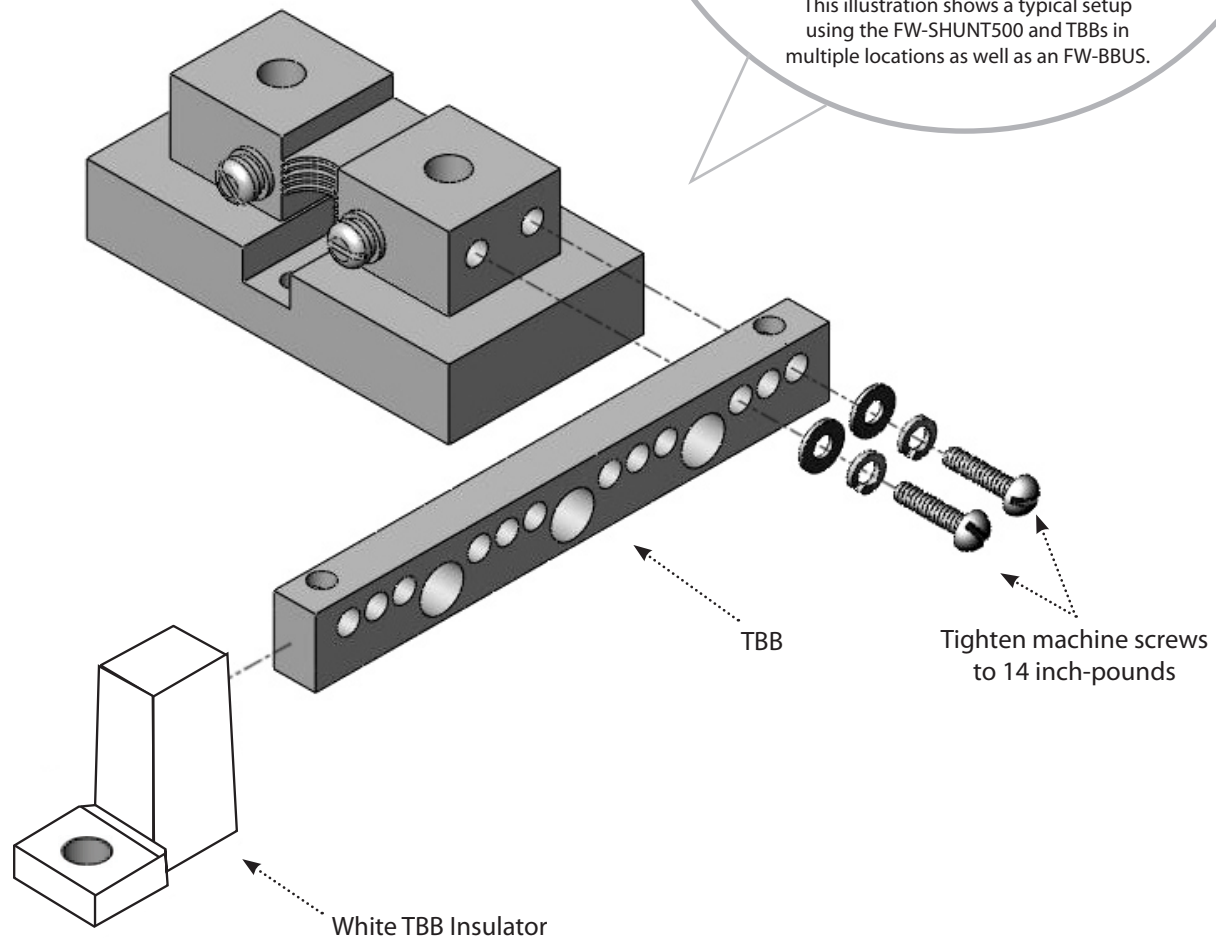


FW-SHUNT500

Installation Instructions



Parts Kit includes:

- (1) Terminal Bus Bar (TBB) to attach to the FW-SHUNT500
- (1) White Insulator for the TBB
- (1) 500 amp/50 MV Shunt
- (2) 10-32 X 1/2 stainless steel machine screws