

## 6.1.2 Connecting the Voltage Supply for Applications up to 63 A

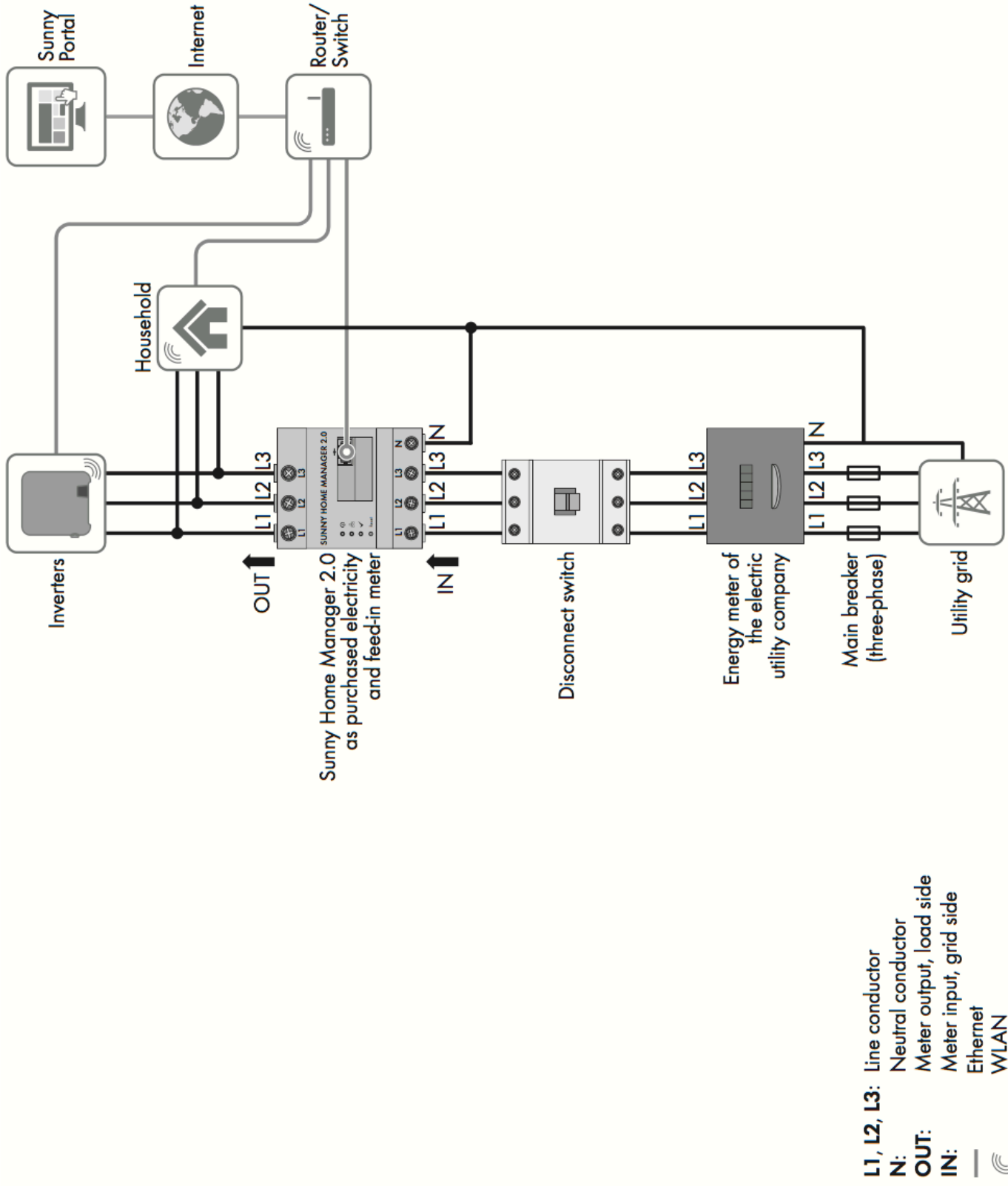


Figure 4: The following figure shows a connection example in TN and TT utility grids in the case of installation at the grid-connection point when using the integrated measuring unit.