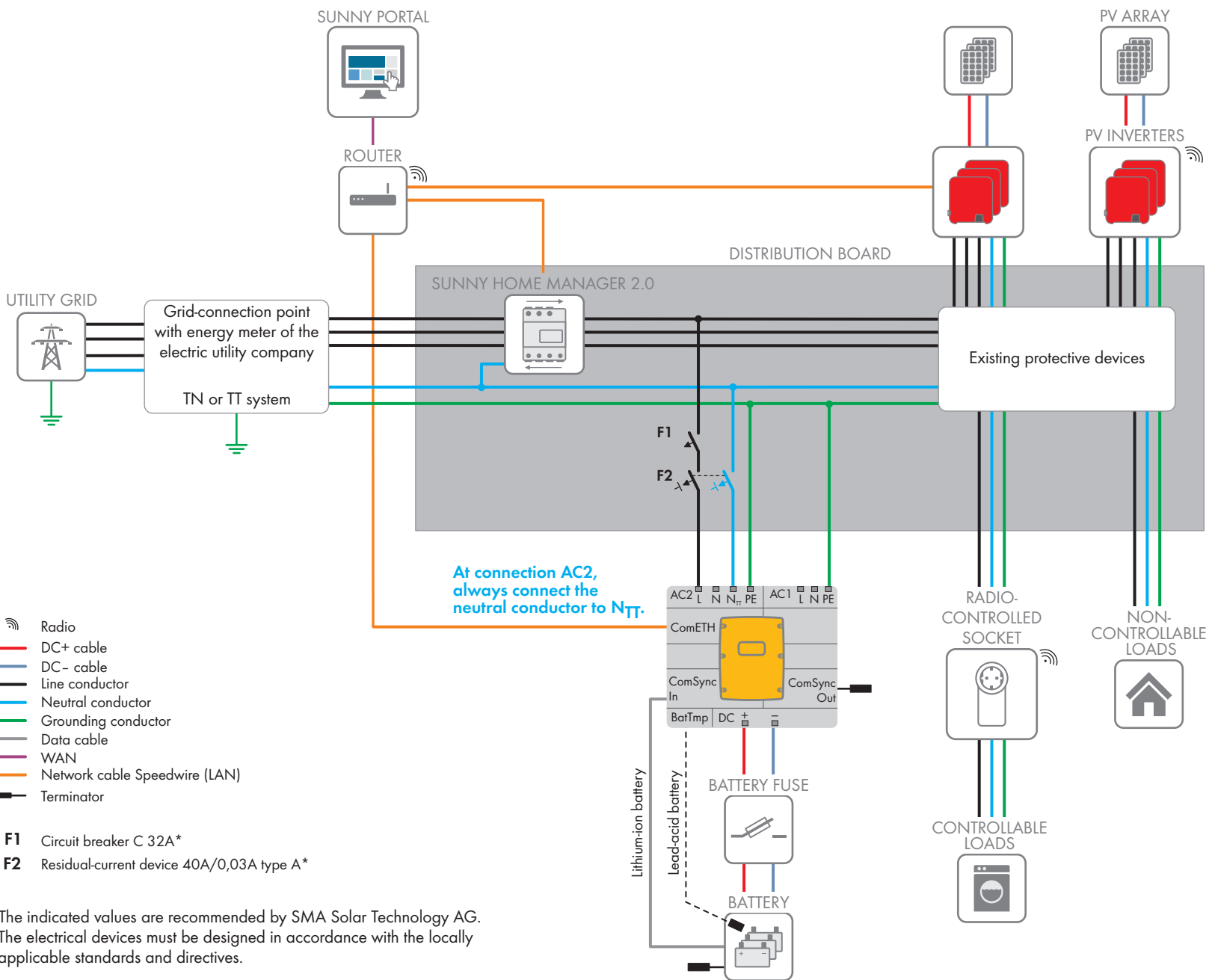


7 SMA Flexible Storage System

7.1 Circuitry Overview for a System with One Sunny Island Inverter



* The indicated values are recommended by SMA Solar Technology AG. The electrical devices must be designed in accordance with the locally applicable standards and directives.

Figure 20: Circuitry of the SMA Flexible Storage System for TN and TT systems